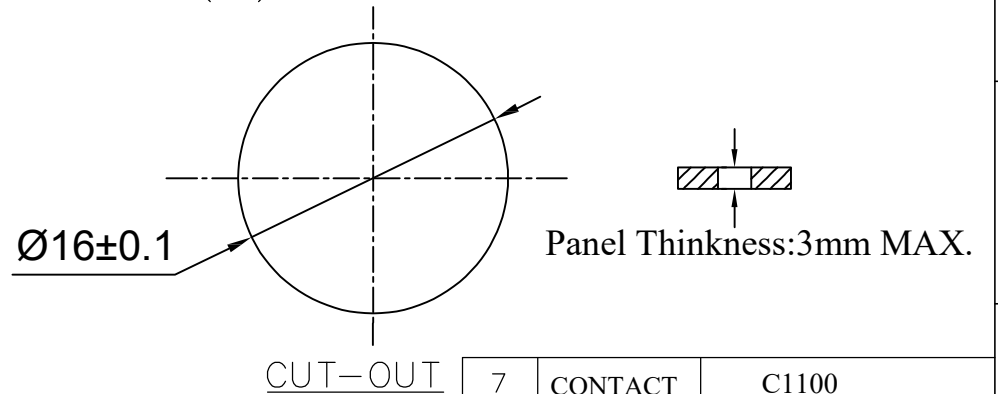
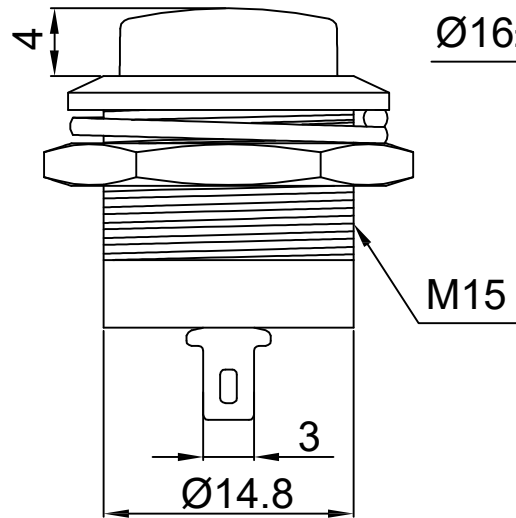
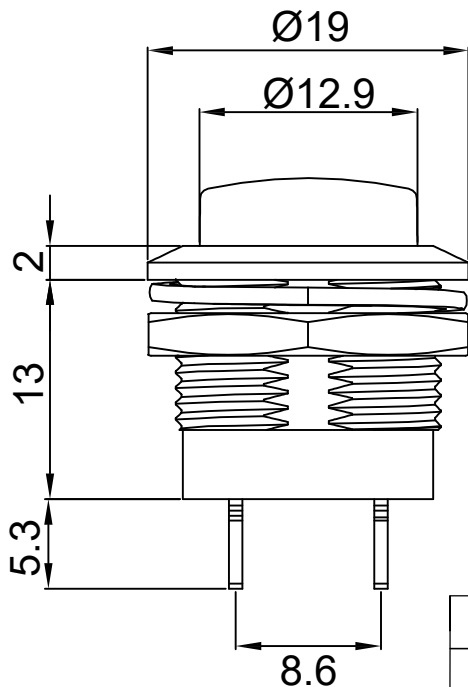
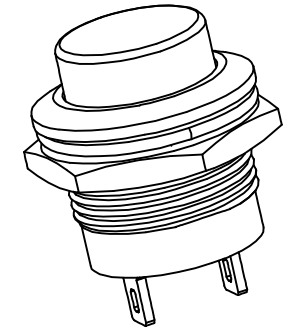


- NOTES:
 1.RATING: 1.5A 250V AC
 2.CONTACT RESISTANCE: 50mΩ Max
 3.INSULATION RESISTANCE: DC 500V 100mΩ Min
 4.DIELECTRIC STRENGTH: AC 1000V 1 minute
 5.LIFE TEST: 10,000 cycles
 6.OPERATING TEMPERATURE: -10~80°C
 7.OPERATING FORCE:250±50gf
 8.TRAVEL:2.4±0.4mm
 9.FUNCTION: OFF-(ON)



CAP COLOR (X)							
W	B	R	G	U	Y	A	O
White	Black	Red	Green	Blue	Yellow	Gray	Orange

7	CONTACT	C1100
6	NUT	BRASS NI PLATED
5	TERMINAL	C1100
4	SPRING	SPRING STEEL
3	CAP	ABS
2	BUSHING	PA66
1	BASE	PA66
ITEM	PART NAME	MATERIAL

TOLERANCE			
UNLESS OTHERWISE STATED			
X	±0.30	\angle	±2°
X.X	±0.15	REV.	A1
DRAWN	Andy	2017.3.5	
CHK'D	Lau		
APPV'D			
A4	1 OF 1	ϕ ∇	

TITLE:	PUSH SWITCH	
PART NO.:	PB02-PMX	
MATL.:		UNIT: mm
FINISH:	--	SCALE:

REV.	REVISION RECORD	DATE	REV.	REVISION RECORD	DATE

东莞市德沃电子科技有限公司